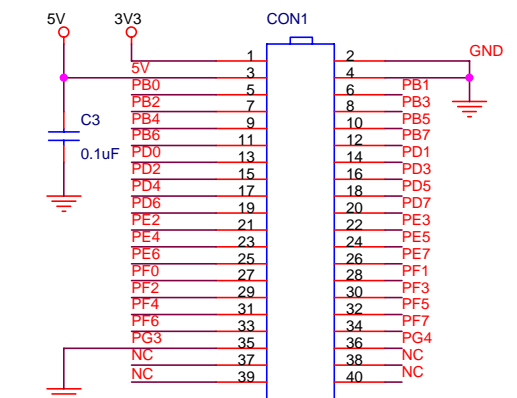
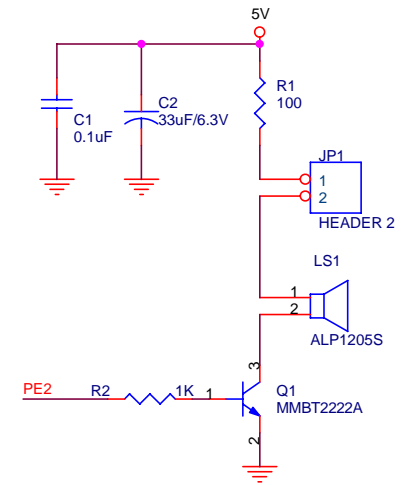
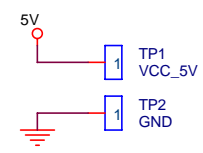


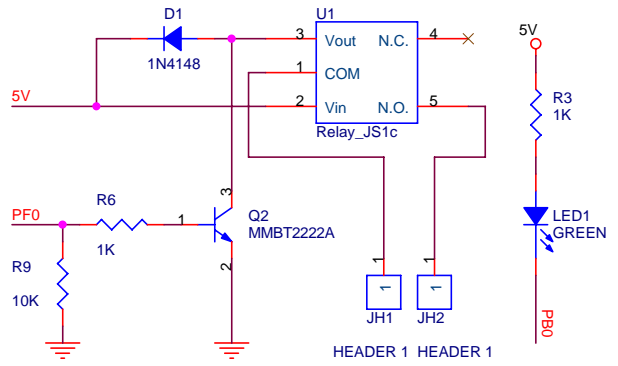
Firmtech [FB80xED_Relay]V1.2



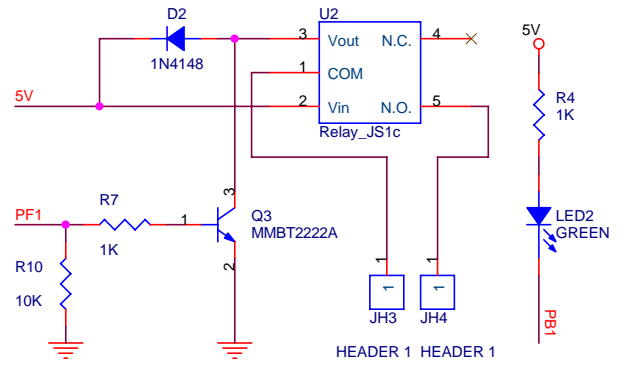
PG3 :
Sub board sensing port
FB800_FB801ED Interface Connector



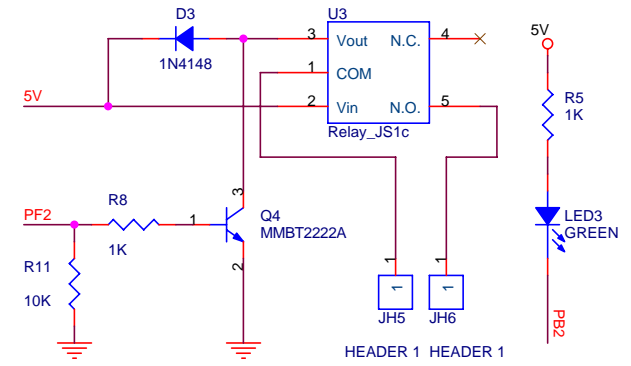
Buzzer Part



Relay Part #1



Relay Part #2



Relay Part #3

Title		<Title>
Size	Document Number	Rev
Custom	<Doc>	<RevCode>
Date:	Friday, August 14, 2009	Sheet 1 of 1