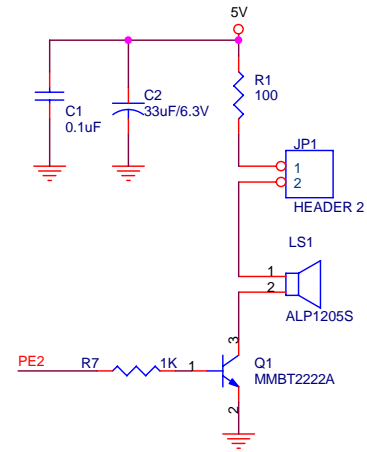
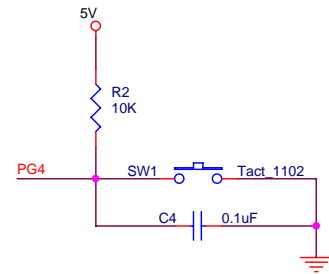


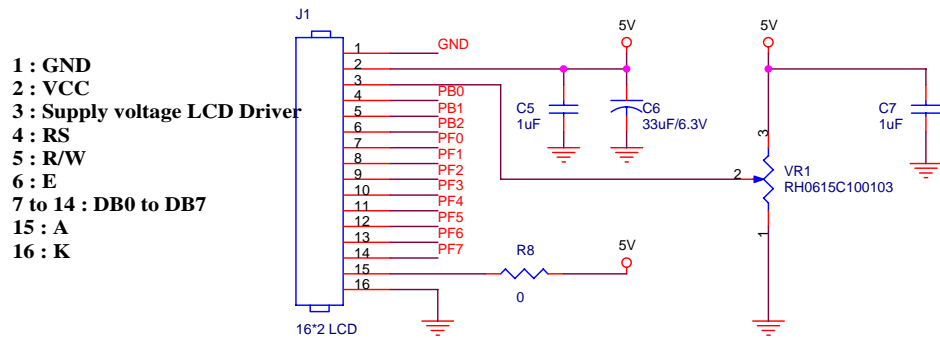
FB800_FB801ED Interface Connector



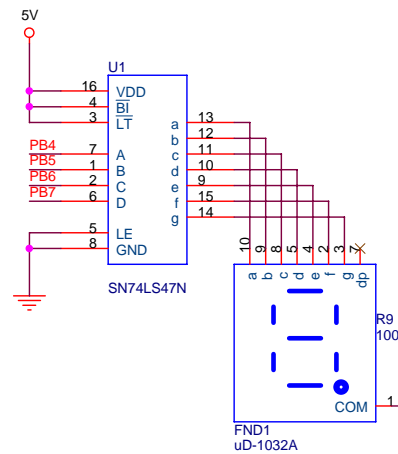
Buzzer Part



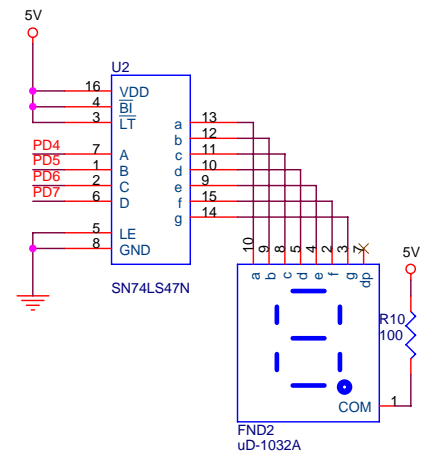
Switch Part



Character LCD part



7-Segment part #1



7-Segment part #2

Title		
<Title>		
Size	Document Number	Rev
Custom<Doc>		<RevCode>
Date:	Friday, August 14, 2009	Sheet 1 of 1